

Digital Pathology – DICOM Enabled Workflow

Business Challenge

Client is one of the leading community-based healthcare system providing accessible expert healthcare services which includes comprehensive range of pathology and laboratory services.

Client is looking to address growing demand for pathology services crippled by insufficient practicing pathologists by building operational efficiencies, increasing diagnostic capacity aided by data sharing and building a network of remote consultant and researchers to deliver high-quality diagnostic services.

Client's vision is to develop an end-to-end technical roadmap using phased approach for enterprise-wide digital pathology by leveraging interoperability (DICOM standards) in a cloud hosted environment.

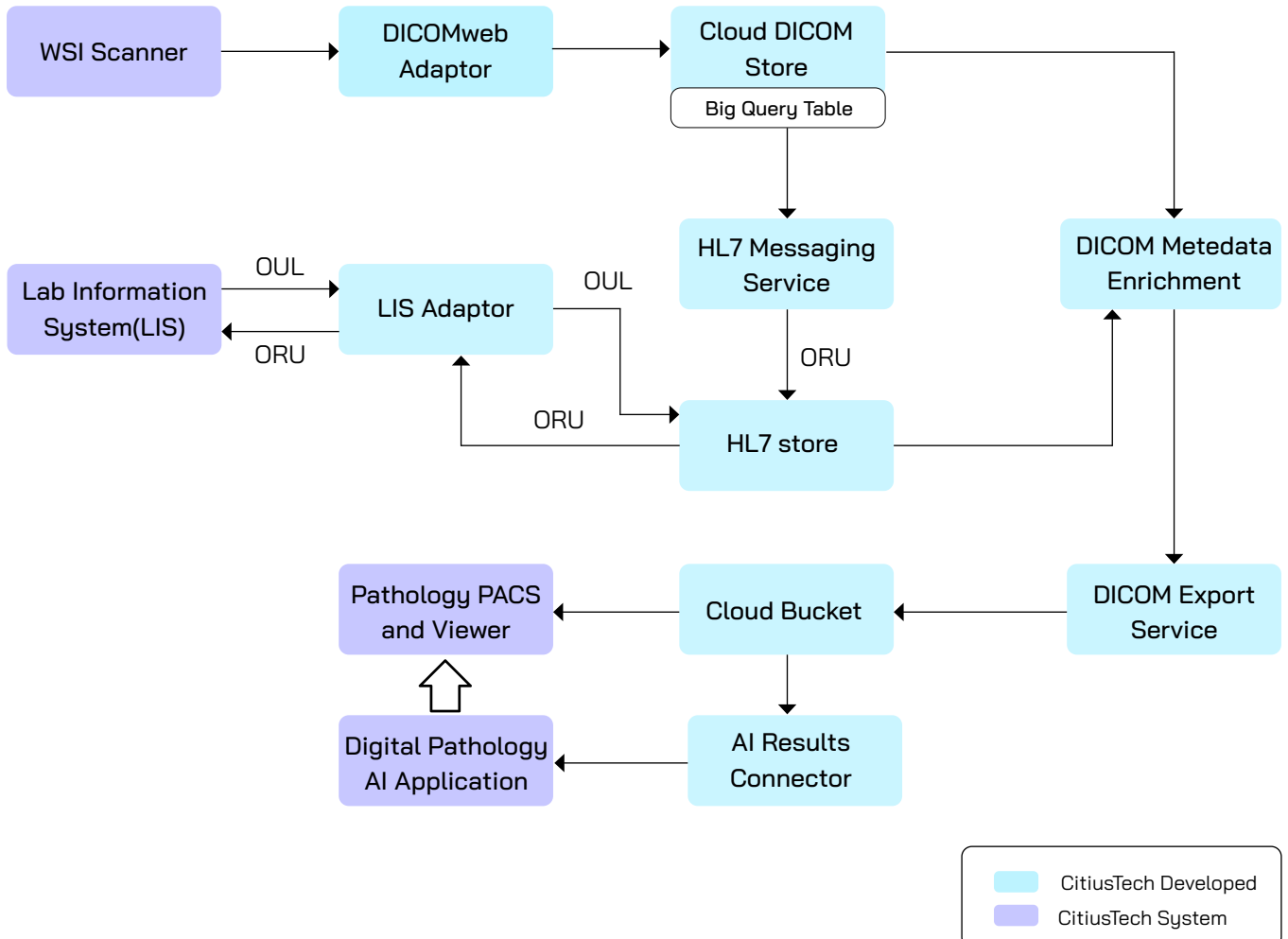


CitiusTech has developed a comprehensive technical framework for an enterprise-wide digital pathology solution, hosted in the public cloud.

Created a multi-vendor environment across the workflow, from slide scanning to diagnosis by leveraging cloud native healthcare services using standard healthcare transactions based on DICOM and HL7.

In addition, CitiusTech has developed reusable artifacts which were required to enrich pathology DICOM file metadata with critical case information from the LIS - EMR, ensuring that these images are compliant with requirements for downstream applications like PACS, AI applications, research etc.

SOLUTION SCHEMATIC



VALUE DELIVERED



First initiative in the world to deploy pathology applications in cloud with 100% interoperability



Foster collaboration among healthcare providers and vendors through seamless data sharing



Enhanced patient access and safety in diagnostic services



Expand diagnostic capacity by enabling remote consultations and second opinions



Integrate with various AI platforms for automated analysis, leading to improved diagnostic capabilities





Shaping Healthcare Possibilities

CitiusTech is a global IT services, consulting, and business solutions enterprise 100% focused on the healthcare and life sciences industry. We enable 140+ enterprises to build a human-first ecosystem that is efficient, effective, and equitable with deep domain expertise and next-gen technology.

With over 8,500 healthcare technology professionals worldwide, CitiusTech powers healthcare digital innovation, business transformation and industry-wide convergence through next-generation technologies, solutions, and products.

www.citiustech.com

Shaping Healthcare Possibilities

